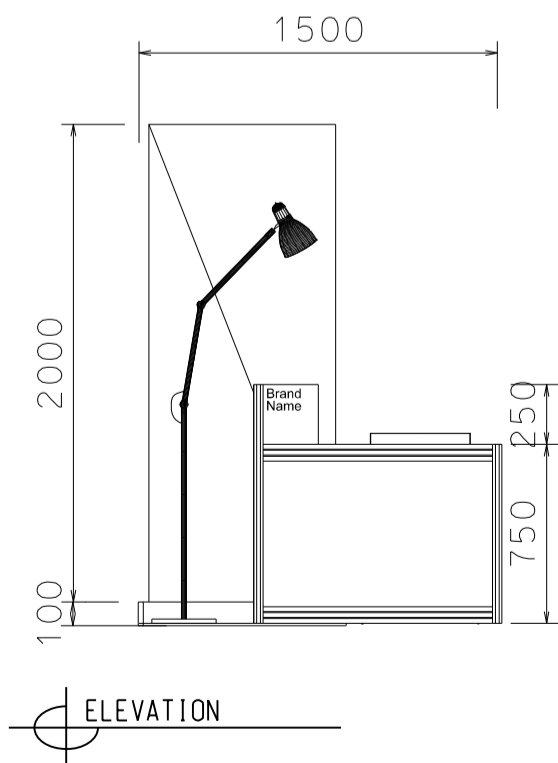
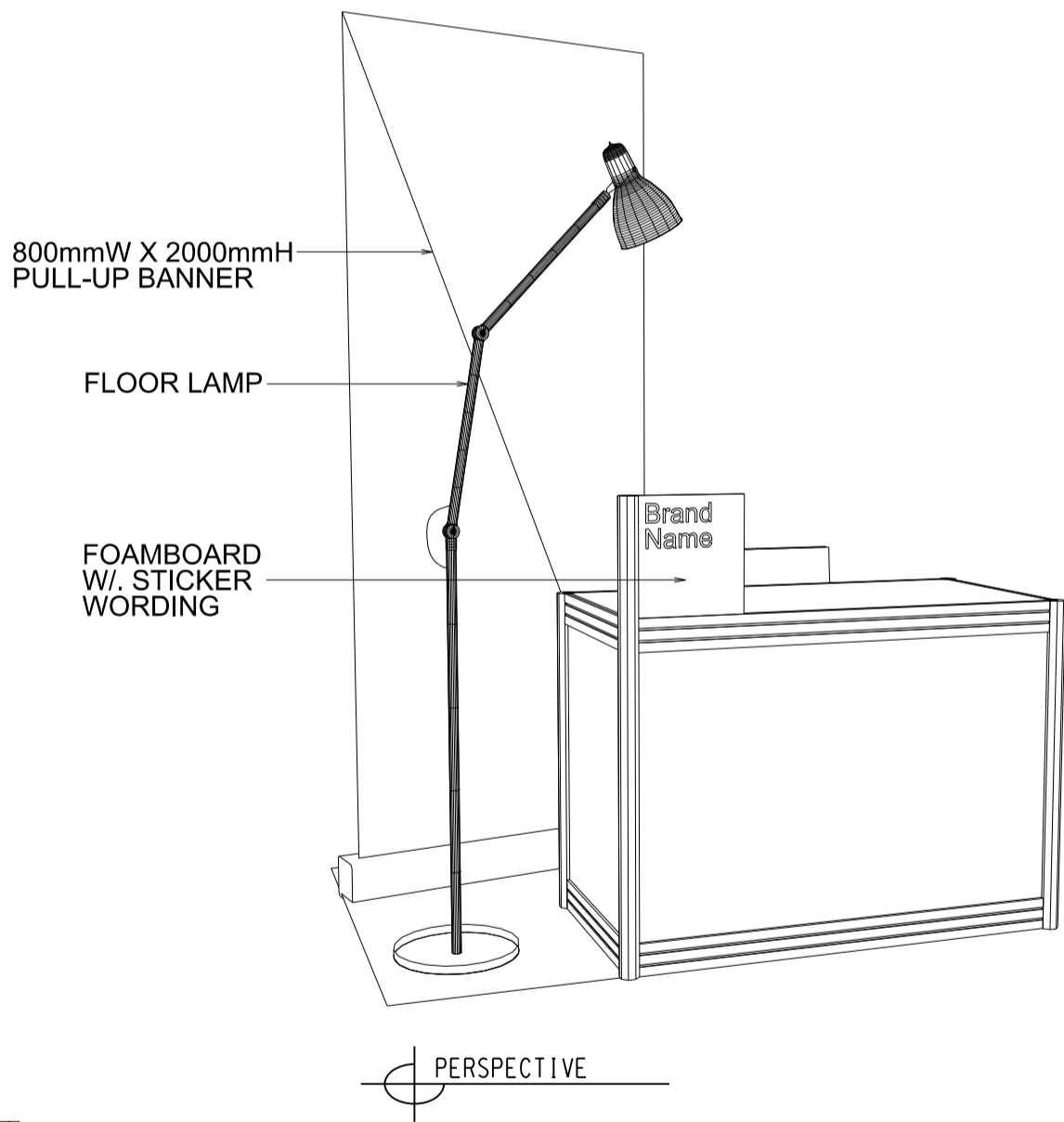
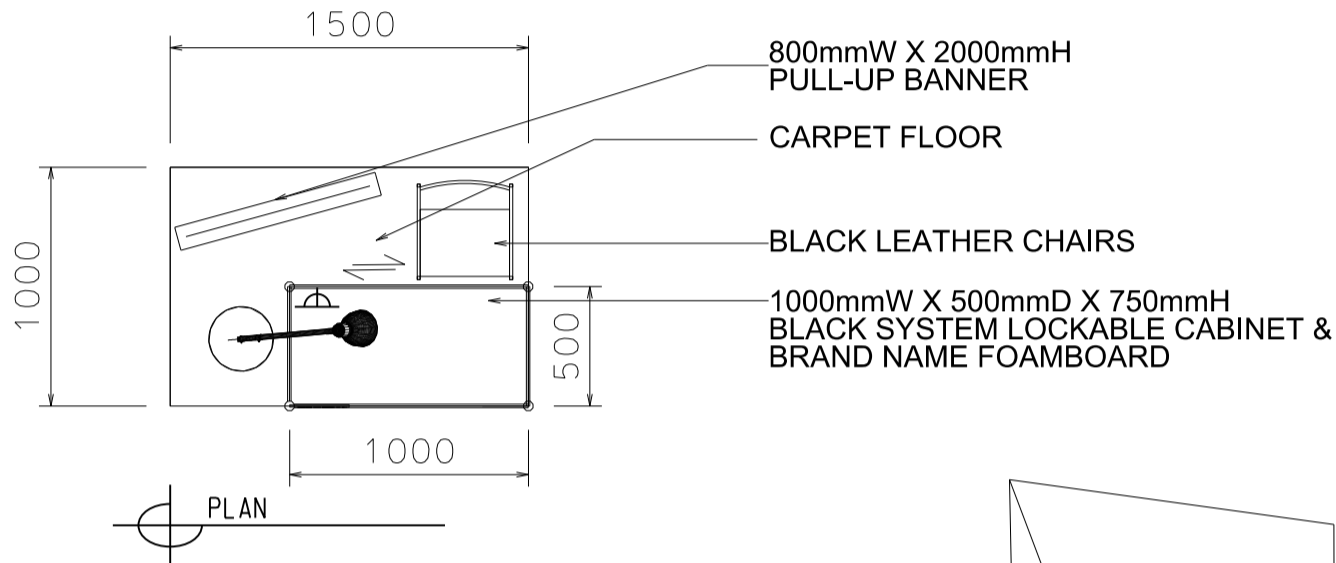


1.5m X 1m Salon de TIME Designer Booth

1.5米乘1米標準攤位



BOOTH SPECIFICATIONS		QTY.
	800mmW X 2000mmH PULL-UP BANNER	1
	1000mmW x 500mmW x 750mmH BLACK SYSTEM LOCKABLE CABINET & BRAND NAME FOAMBOARD	1
	500W SQUARE PIN POWER SOCKET	1
	FLOOR LAMP	1
	CHAIR	1
	RUBBISH BIN & CARPET (1.5sqm.)	