

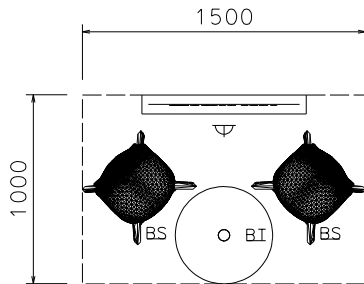
Hong Kong Watch & Clock Fair

香港鐘表展

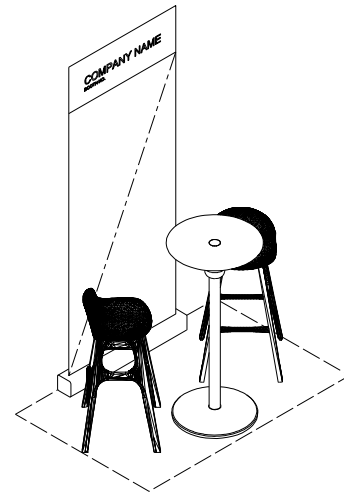
1.5M(W) x 1M(D) Microbrands booth

一點五米(闊) x 一米(深) 微品牌專櫃

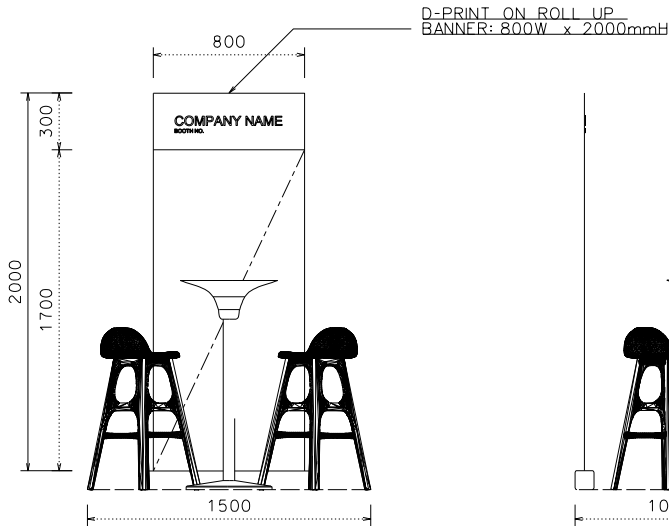
(Applicable for Salon de TE Only
國際名表薈萃參展商專用)



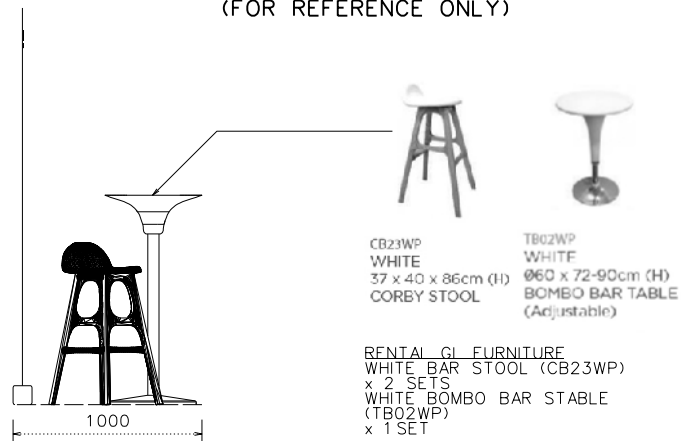
TOP VIEW



PERSPECTIVE VIEW
(FOR REFERENCE ONLY)



FRONT ELEVATION



SIDE ELEVATION

BOOTH SPECIFICATIONS		QTY.
	800W x 2000mmH ROLL UP BANNER	1
	BAR STOOL	2
	ADJUSTABLE BAR TABLE	1
	500W POWER SOCKET	1