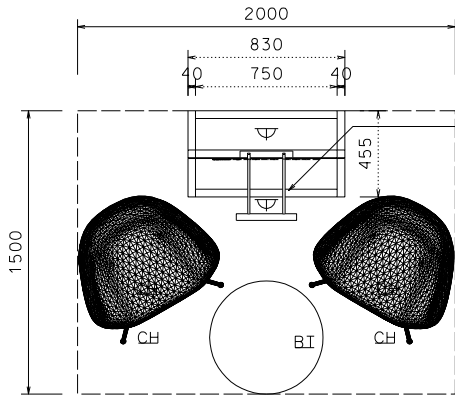


## 2M(W) x 1.5M(D) Exquisite booth

二米(闊) x 一點五米(深) 匠藝臻品

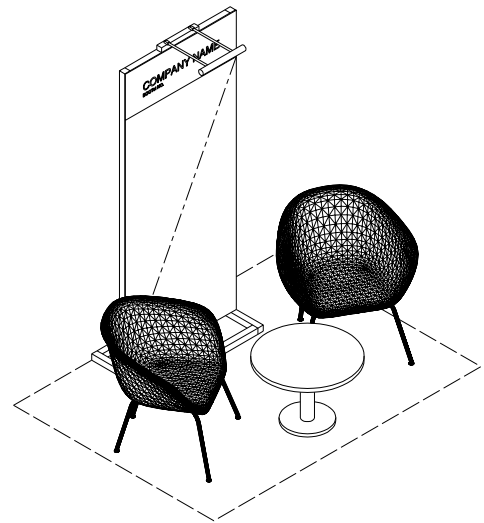
(Applicable for Salon de TE Only)

國際名表薈萃參展商專用)

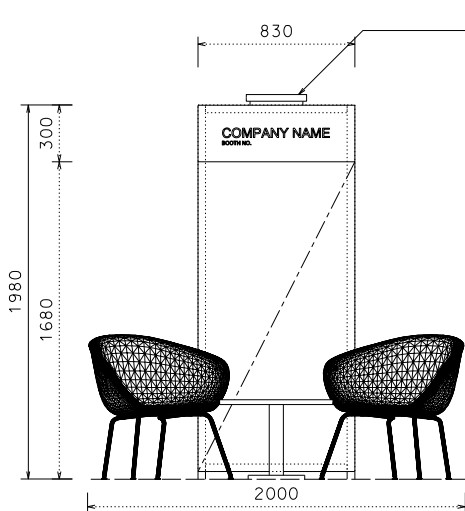


TOP VIEW

40mm SQ MAXIMA  
STRUCTURE (BLACK) W/  
MAXIMA CAP

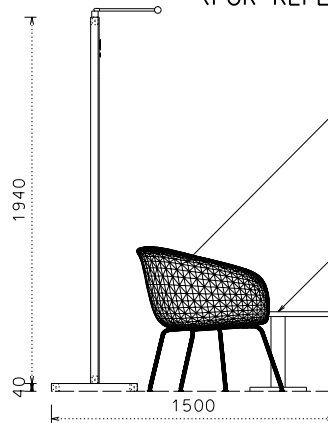


PERSPECTIVE VIEW  
(FOR REFERENCE ONLY)



FRONT ELEVATION

LED GILBERT LAMP  
(4000K)



SIDE ELEVATION

RENTAL\_GL\_FURNITURE  
WHITE CHAIR (CH36WP)  
x 2 SETS  
WHITE COFFEE TABLE (TR04WP)  
x 1 SET

BOOTH SPECIFICATIONS		QTY.
	800W x 2000mmH ROLL UP BANNER	1
	CHAIR	2
	COFFEE TABLE	1
	500W POWER SOCKET	2